



C A B U C H O N[®]

B A T H *f*o *r*m *s*

SAVOY BATH

NORMAL WATER REQUIREMENT

225 Litres (50 Imperial Gallons)

KEY TO SIZES: ■ Millimetres □ Inches to nearest 1/4"

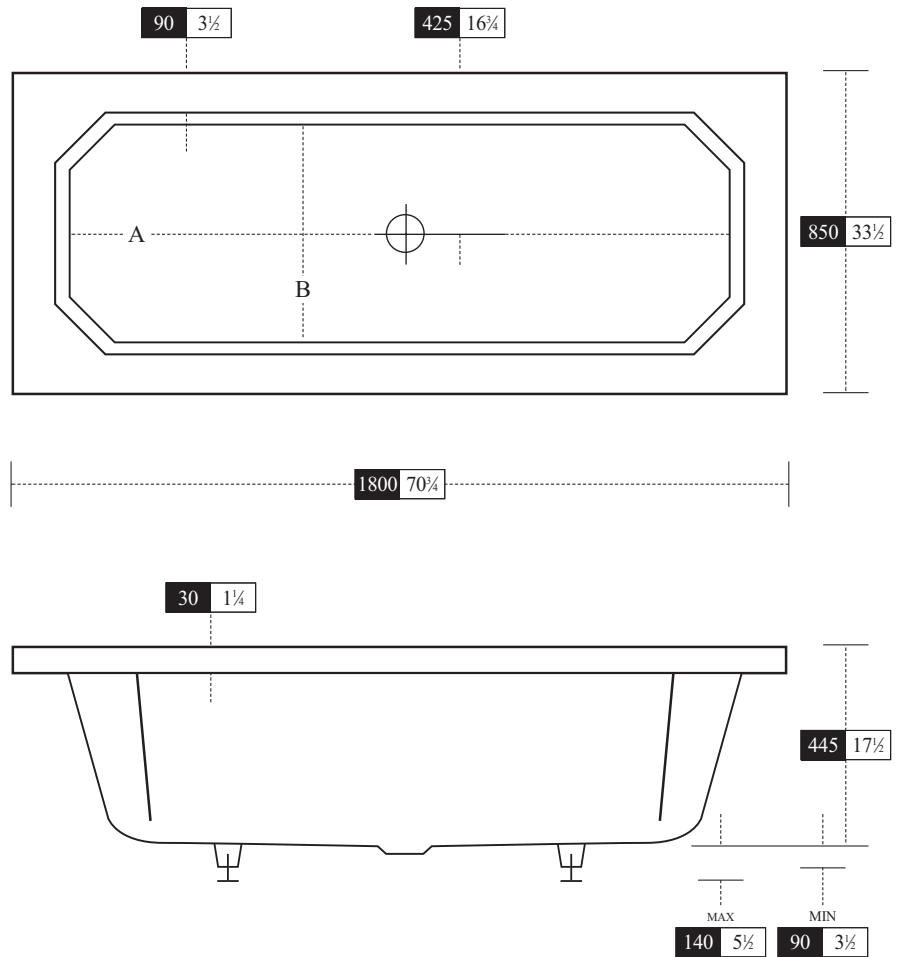
This bath is supplied with only waste & overflow holes drilled in order to allow options on jobsite in the positioning of spouts, taps, handshowers & whirlpool controls. The only rule is good plumbing.

The bath is supplied with four screw-adjustable feet allowing a variation in height of 82mm/3 1/4". The Savoy requires an extended waste overflow.

The panel (see overleaf) projects 20mm from the rim of the bath and, if other than a front panel which is the same size as the bath, has dimensions of: L1820mm/71 3/4" x W870mm/34 1/4" x H540mm/21 1/4" if traditional and H485mm/19" if plain.

Minor changes can be made to the length, width or height of baths or panels for additional cost. If used as an inset bath the weight must be on the feet not the rim.

All Cabuchon products are registered designs covered by copyright and the Company, being committed to continuous innovation and improvement, reserves the right to change specifications without notice. Tolerances are + or - 3mm.



	A	B
Top	1550	610
	61	24
Bottom	1360	450
	53 1/2	17 3/4

As baths are made to metric - inch measurements are to nearest quarter inch.